



BS-6005

Inverted Metallurgical Microscope

Instruction Manual

This instruction manual is for the Inverted Metallurgical microscope BS-6005 series. To ensure the safety and obtain optimum performance and to familiarize yourself fully with use of this microscope, we recommend that you study this manual thoroughly before operating the microscope. Retain this instruction manual in an easily accessible place near the work desk for future reference.

ATTENTIONS

1. Please handle the microscope carefully.
 - Following the **Figure-2** step to move the instrument, make sure the sample is taken away. Use one hand holding ① position, the other hand holding ② position.
 - If rising microscope's height with other parts, must keep it in horizontal position, prevent incline and sample slip.

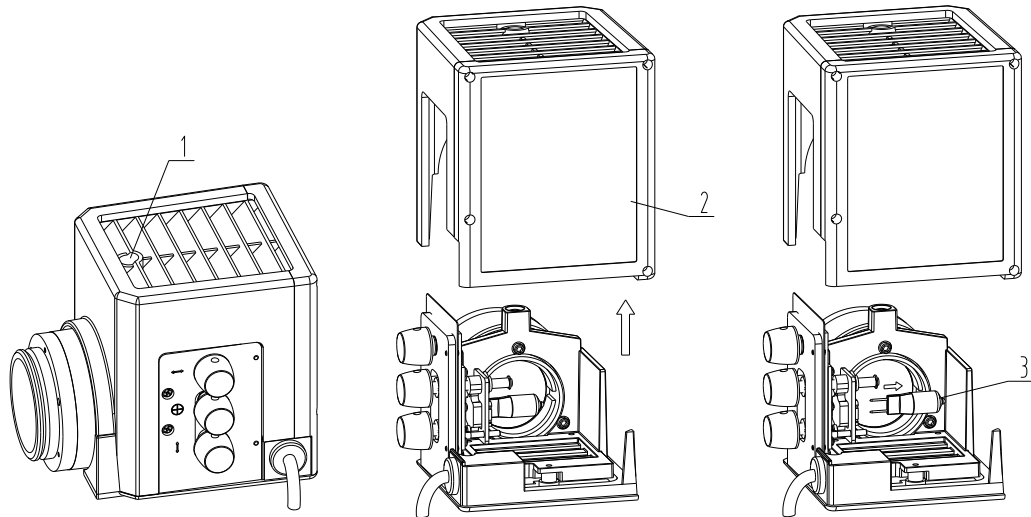


Figure-1 Replace Bulb

2. Before replacing the lamp, first turn off power switch at off position **O**, and unplug it in case of electric shock and burn. The power supply must be cut off before bulb replacement. If microscope is in use or after use, the bulb and lamp house must be cooled off completely before proceeding, please see **Figure-1**, Loosening screw 1, pulling out lamp shade 2, and replace broken bulb with required bulb 3.

3. Microscope must be placed on stable and horizontal table.

4. Only use our power cord, wrong power cord can't guarantee instrument safety and performance.

5. Keep enough space between power cord and lamp house, if power cord touch lamp socket, will result in fuse melt or electric leakage.

6. The microscope ground terminal must be tightly connected with plug's ground terminal.

7. If unexpected situation happens, please pull the plug out.






8. Disassembly only by the professionals. The microscope has been adjusted before shipping, Unprofessional-person should not disassemble and remove any other parts. If you have any questions, please contact with manufacturer or local distributor.

9. Wide voltage input 100~240V, 47-63Hz, if not in this range, it may cause damage for equipment.

10. Don't open microscope base plate when in use or else exposed electrical element will lead to electric shock. Before replacing the lamp or fuse, please turn off power switch and pull out the plug from the socket.

11. Do not use alcohol, gasoline, paper and other combustibles near the instrument, to prevent a fire!

Safety Mark

MARK	MEANING
	Surface will be hot, don't touch it.
	Please read instruction manual carefully at first. Misuse will lead to user hurt or instrument damage.
	It is near the fuse socket, means be care of electric leakage.
	Main switch " ON "
	Main switch " OFF "

● **PREPARATION**

1. Microscope is precise instrument, carefully operation, avoid collisions and shaky.
2. Using environment should not be in direct sunlight, high temperature or high humidity and dusty, avoid violent shaky.
3. Tension for coarse focusing knob can adjustable.
4. Please leave enough space(10cm) for ventilation.
5. Please follow Figure-2 to carry microscope
 - ★ Firstly, take away sample, filters and round stage parts avoid damage .
 - ★ If the microscope is leaning slightly, not in good position, rubber gasket may be fall off.

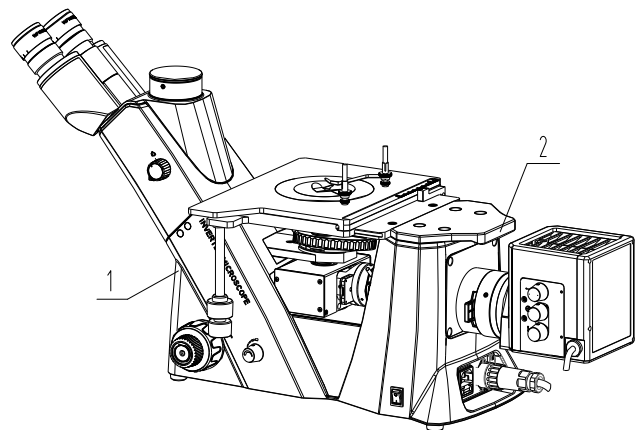



Figure-2 Carrying

● **MAINTANCE AND STORE**

1. Please use gauze with 70% ether and 30% alcohol mixed liquor to gently wipe the lens, Alcohol and ether are inflammable material, please take them away from fire. Be careful for turn on and off power. Please keep indoor air ventilation.
2. Please use soft fabric to clean other parts with neutral detergent besides glass parts.
3. If microscope not in use, please put on dust cover.
4. Please collect packing material for storage and carry after unpack carton.

CONTENTS

 Attentions	1
1. Parts Name	4
2. Observation Steps	6
3. Operation	7
3.1 Main Body	7
3.1.1 Turn On Light Source	7
3.1.2 Aperture Diaphragm	7
3.1.3 Adjustment of Field Diaphragm	7
3.1.4 Usage of Filter	8
3.1.5 Adjustment of Lamp Center	8
3.2 Focusing Unit.....	8
Adjustment of Coaxial Coarse Focusing Knob Tension.....	8
3.3 Observation Tube	9
3.3.1 Adjustment of Interpupillary Distance.....	9
3.3.2 Adjustment of Diopter	9
3.3.3 Locking Eyepiece	9
3.4 Stage.....	10
3.4.1 F Place Sample.....	10
3.4.2 Moving Sample.....	10
3.5 Simple Polarizing Observation.....	11
3.6 Illumination Unit (with Dark Field Metallurgical Parts).....	11
4. Trouble Shooting	12
5. Installation.....	13
5.1 Installation Diagram	13
5.2 Installation Steps	14
5.2.1 Installation/Replacement of Bulb	14
5.2.2 Replacement of Fuse	14
5.2.3 Connecting Power Line.....	14
5.2.4 Installation of Objective	15
5.2.5 Installation of Stage Plate	15
5.2.6 Installation of Lamp House.....	16
5.2.7 Installation of Photography System	16
5.2.7.1 Video System (Optional).....	16
5.2.7.2 Digital Photography System(Optional)	17

1. Parts Name

- © The following figure only display basic parts, please refer to latest product catalog for other parts.

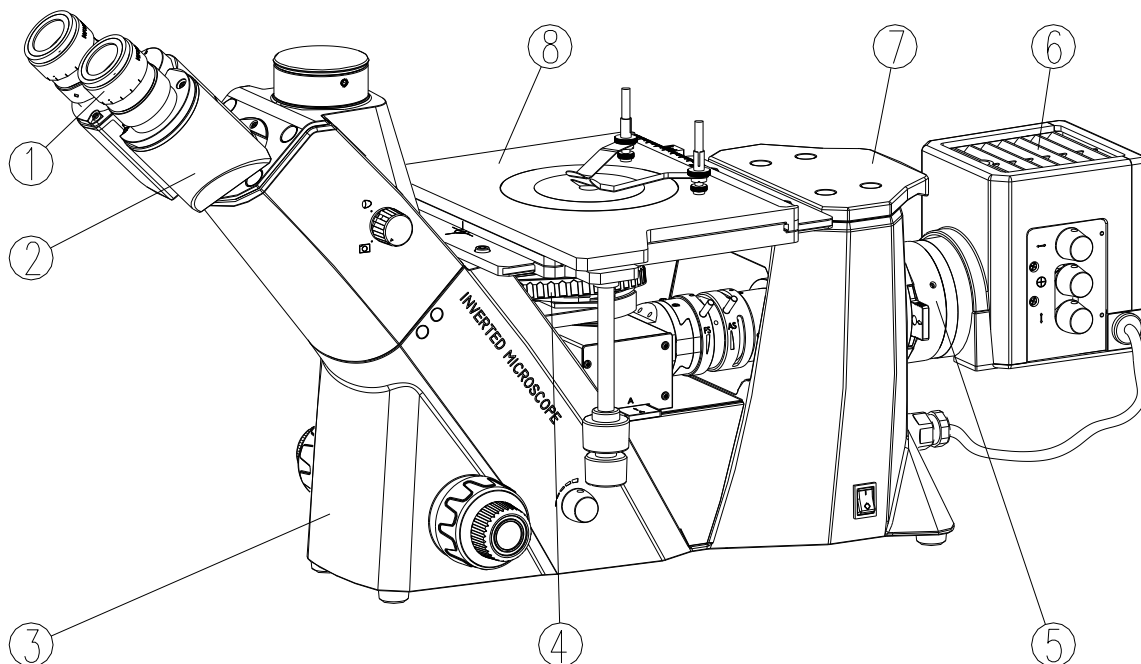


Figure-3 Main Parts Name

- ① Eyepiece
- ② Seidentopf Trinocular Head
- ③ Main Body
- ④ Nosepiece
- ⑤ Epi-illumination Unit
- ⑥ Lamp House
- ⑦ Handle
- ⑧ Mechanical Stage

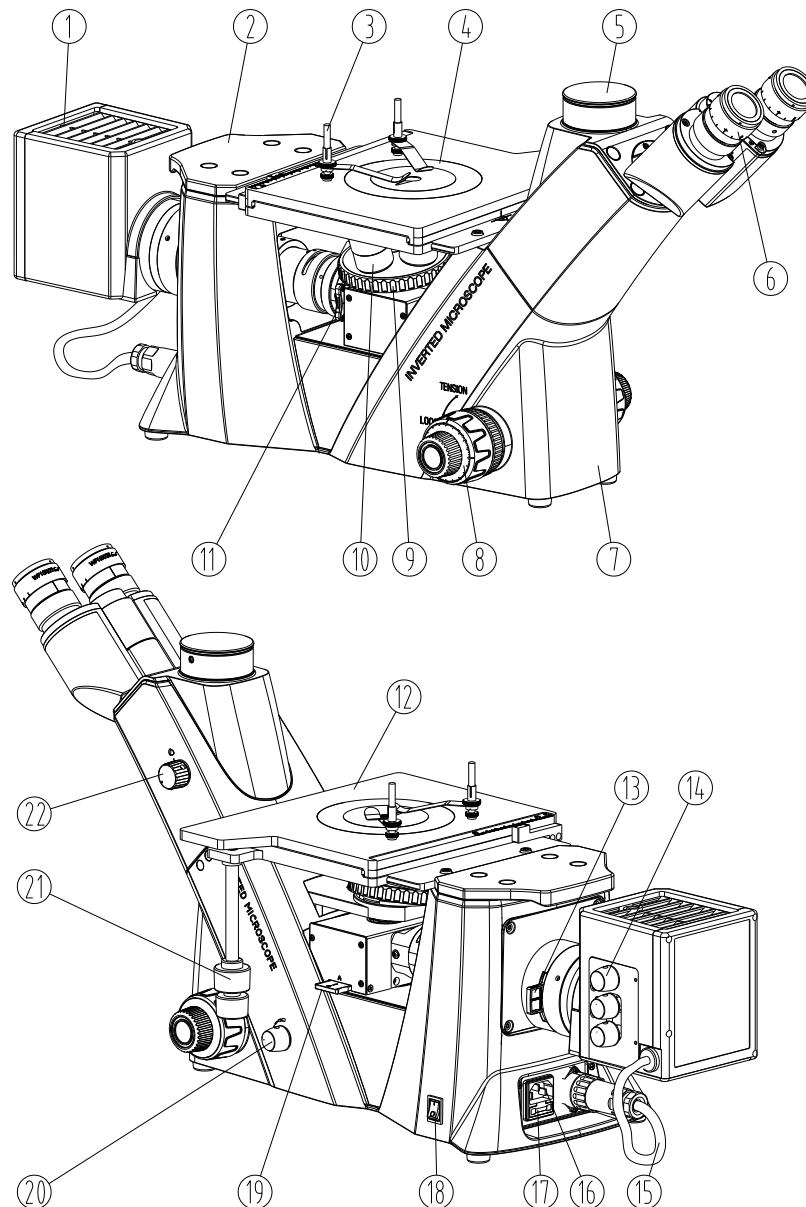
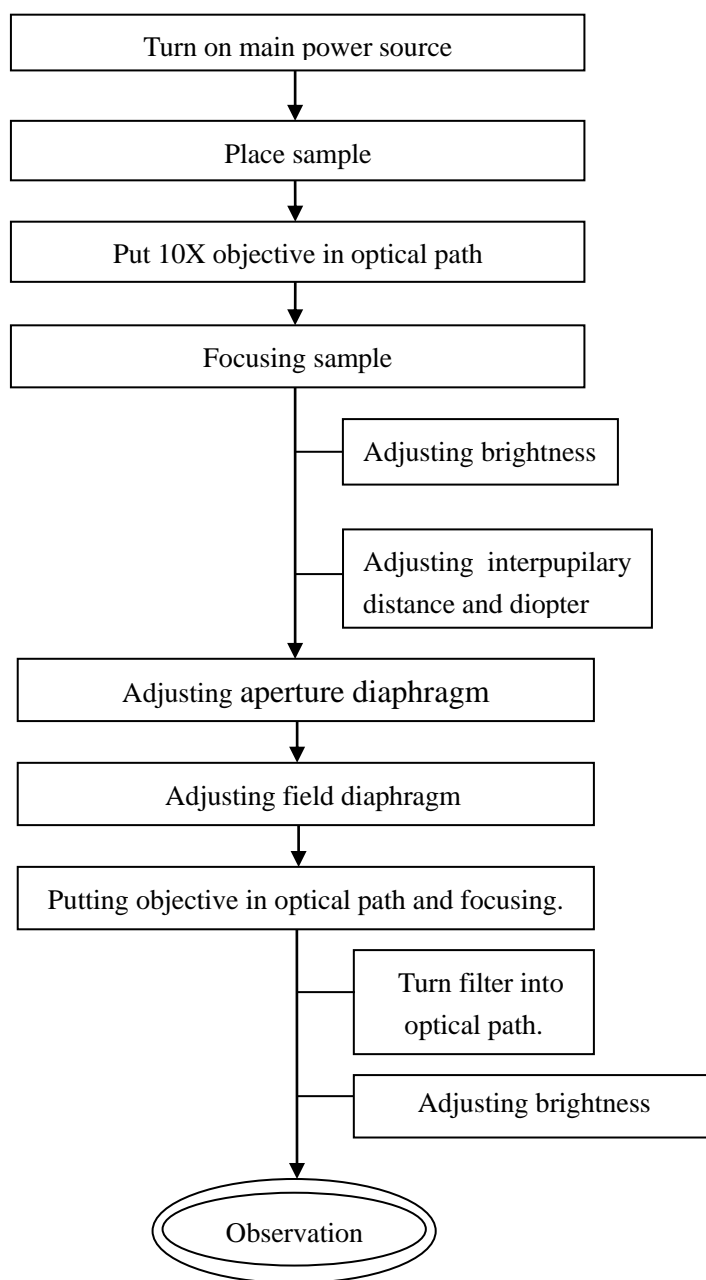


Figure-4 Parts Name

- | | |
|--------------------------------|--------------------------------------|
| 1) Lamp House | 12) Mechanical Stage |
| 2) Handle | 13) Filter Slider |
| 3) Clamp | 14) Adjustable Knob for lamp bulb |
| 4) Stage Plate | 15) Lamp House Power cable |
| 5) Seidentopf Trinocular Head | 16) Power Socket |
| 6) Eyepiece | 17) Fuse Box |
| 7) Main Body | 18) Power Switch |
| 8) Coarse & Fine Focusing Knob | 19) Analyzer Slider |
| 9) Nosepiece | 20) Potentiometer Knob |
| 10) Objective | 21) Stage Moving Knob |
| 11) Polarizer Slider | 22) Trinocular light distribute Knob |

- Please read chapter 6 about assembly steps.

2. Observation Steps (In Bright Field)



3. Operation

3.1 Main Body

3.1.1 Turn On Light Source

- a. Turn potentiometer knob ① to the minimum, turn on power switch to ② position I.
- b. Rotating potentiometer knob ① to increase or decrease brightness for good illumination.

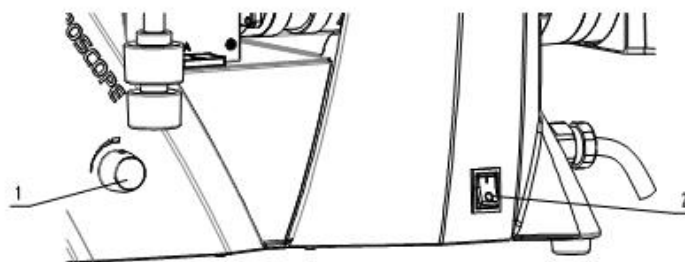


Figure-5 Power Switch

3.1.2 Adjustment of Aperture Diaphragm (Figure-6)

Gently moving slider handle ① to adjust aperture diaphragm. It determines illumination system's numerical aperture. Operator can adjust focal depth as required, eliminate stray light, improve field contrast and image quality.

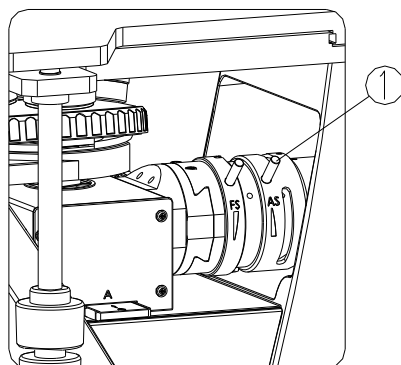


Figure-6 Aperture Diaphragm Adjustment

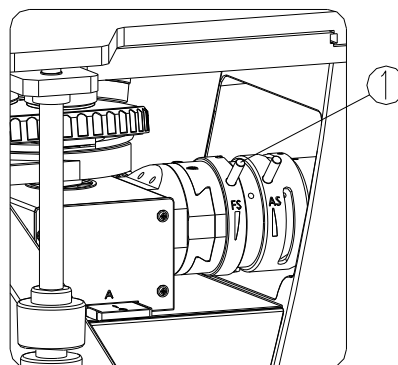


Figure-7 Field Diaphragm Adjustment

3.1.3 Adjustment of Field Diaphragm (Figure-7)

Gently moving diaphragm lever ① to adjust field diaphragm, will get clear image after focusing sample.

- ★ In general condition, field diaphragm should be larger than objective field.
- ★ Aperture diaphragm and field diaphragm center has been adjusted before delivery, so don't readjust again.

3.1.4 Usage of Filter

- A. Take out the filters and filter slider.
- B. Insert needed filter into filter slider, following Figure 8 installation drawing.

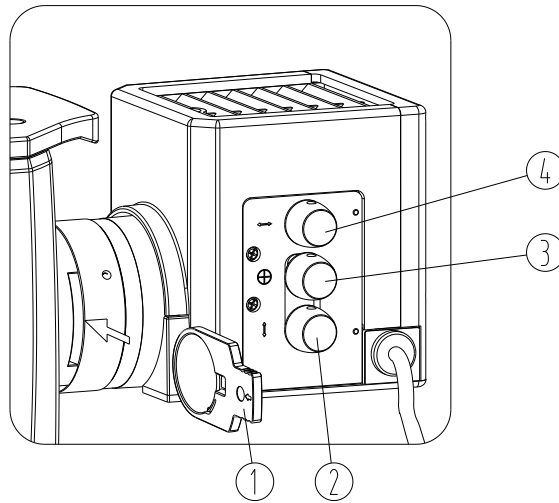


Figure-8 Filter Installation / Adjusting lamp house

3.1.5 Adjustment of Lamp Center

- A. Stir the aperture diaphragm to the biggest.
- B. Turn up & down adjusting knob \emptyset , left & right adjusting knob \oplus and front & back adjusting knob \ominus to adjust the lamp center for making the view field brightest and even.

3.2 Focusing Unit

● **Adjustment of Coaxial Coarse Focusing Knob Tension**

- a. Coarse focusing knob tension can be adjustable, hold adjustable ring ① and rotate it. Anti-clockwise direction is decrease, clockwise direction is increase.
- b. If stage is decreasing automatically, the sample is deviating from the focusing point, means tension too low ,clockwise rotating adjustable ring ① to increase tension.

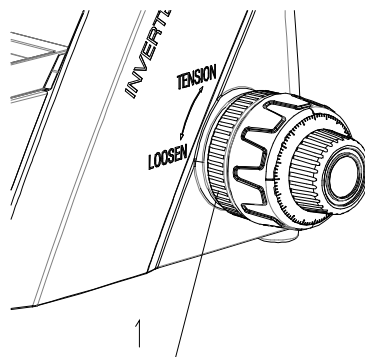


Figure-9 Adjustment of coarse focusing knob tension

⚠ Don't rotate coarse and fine focusing knobs with reverse direction at the same time.

3.3 Observation Tube

3.3.1 Adjustment of Interpupillary Distance

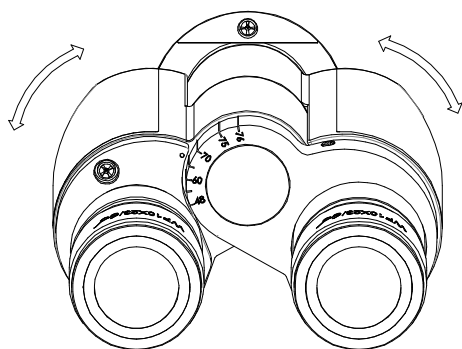


Figure-10 Adjustment of Interpupillary Distance

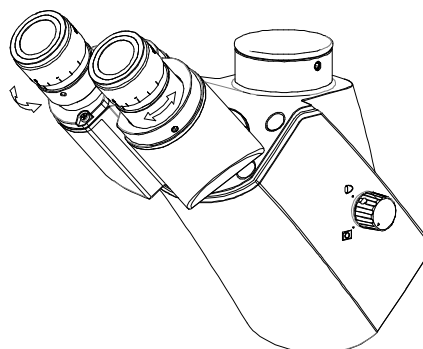


Figure-11 Adjustment Of Diopter

Please adjusting binocular tube to make left and right field coincide completely. Indication point ● is interpupillary distance.

3.3.2 Adjustment of Diopter

- a. With right eye to observation by right eyepiece, focusing the sample by coarse and fine focusing knob.
- b. With left eye to observation by left eyepiece, focusing the sample by coarse and fine focusing knob.

3.3.3 Locking Eyepiece

Eyepiece can be tighten by using thumb screw ① (Figure-11), if want to change eyepiece, must unscrew it ① at first.

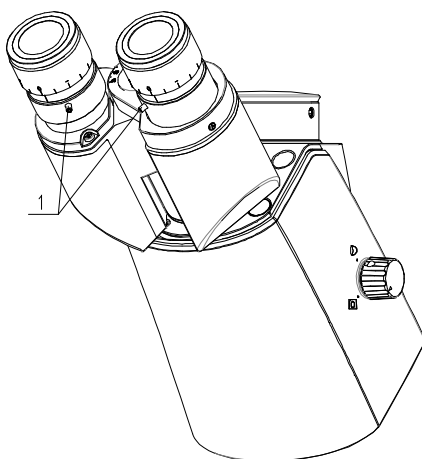


Figure-12 Locking Eyepiece

3.4 Stage

3.4.1 Place Sample

Place sample on stage round plate, put observation side downwards, fix the sample with clamps to make observation.

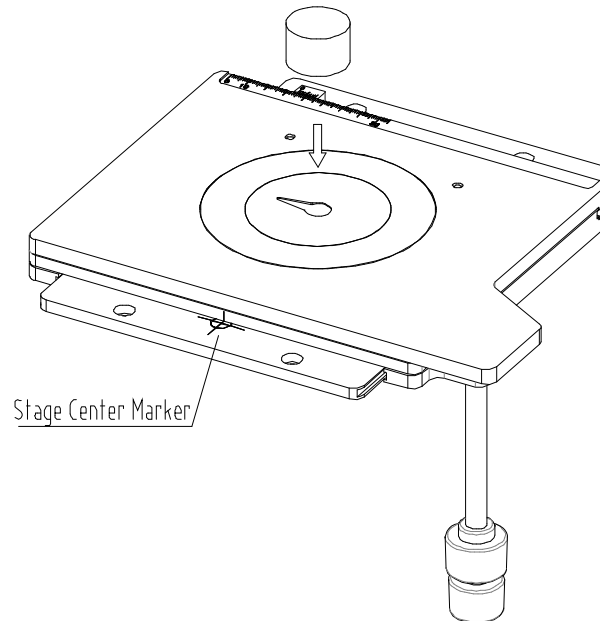


Figure-13 Placing Sample

3.4.2 Moving Sample

- Mechanical stage can be moved freely at X and Y direction.
- Put supplied standard stage plate ① in the mechanical stage.
- Insert clamps in the mechanical stage by screw connection.
- Fixed the sample with clamps to make observation.

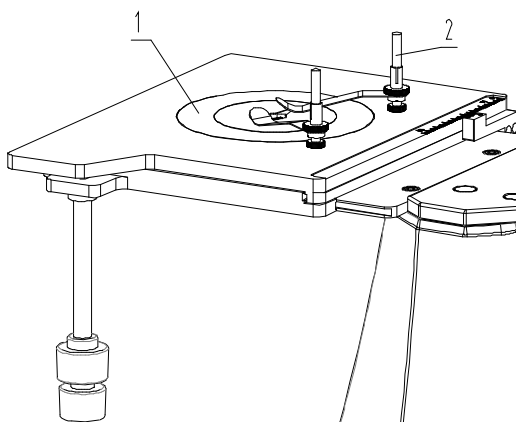


Figure-14 Mechanical Stage

If sample is more heavier, please put it in the stage central zone in case the round stage will out of shape.

3.5 Simple Polarizing Observation

- ◎ Polarizer and analyzer are only used for polarizing observation, normal observation don't need them because of low light intensity.

A. Insert analyzer slider (A) in corresponding slot, moving into light path(**Figure-15**).

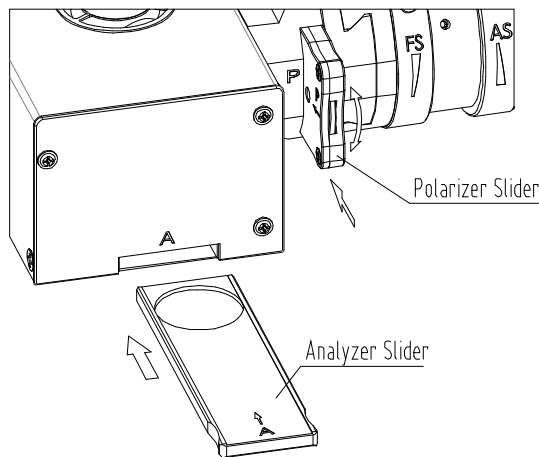


Figure-15 Putting Analyzer Into Optical Path

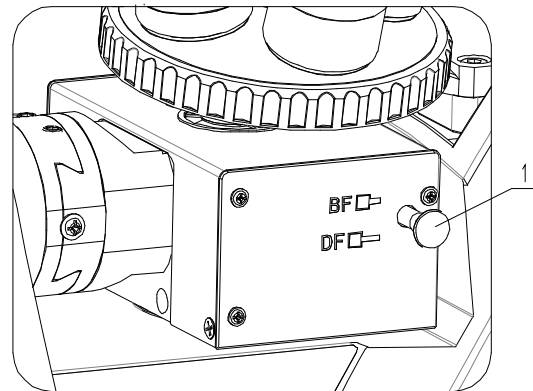


Figure-16 Bright & Dark Field Conversion Lever

- B. Insert polarizer slider (P) in corresponding slot, moving into optical path.
- C. Putting an object with strong reflect light and no polarization, for example mirror surface, on the stage.
- D. Turn the wheel of polarizer to make the field the darkest. (**Figure-15**)
- E. Place sample on the stage, rotate it for polarizing observation.

3.6 Usage of Illumination Unit (with Dark Field Metallurgical Parts)

3.6.1 Bright field observation

- a) Turn aperture diaphragm to the optical axis center (has been set before delivery).
- b) Adjust bright &dark field transform handle at **BF** (**Figure-16**) .
- c) Adjust aperture diaphragm to make better brightness and contrast.

3.6.2 Dark field observation

- a) Adjust aperture diaphragm to the maximum.
- b) Adjust field diaphragm to the maximum.
- c) Pull the bright &dark field transform handle ① out at DF.
- d) Adjust potentiometer knob to right brightness.

4. Trouble Shooting

Trouble	Causation	Solution
1. Optical System		
a) Field incomplete or illumination irregular.	Nosepiece not in right location.	Readjust nosepiece in right position.
	Filter slider not in right place.	Readjust filter slider.
	Analyzer and polarizer slider aren't completely moved out of optical path.	Moving polarizer and analyzer slider completely out of optical path.
b) Find dirt or dust in objective field.	Lens of collector is dirty.	Clean it
	Sample is dirty.	
	Eyepiece is dirty.	
c) Bad Image quality, for example, not sharp, low picture contrast, image detail not clear.	Objective isn't in right position.	Rotate nosepiece to locating position.
	Objective front lens is dirty.	Thoroughly clean.
	Sample is dirty.	Thoroughly clean.
	Aperture diaphragm is opened too larger or shrink.	Adjust aperture diaphragm to the right place.
d) Partial image isn't clear or unsteady image.	Objective isn't in right position.	Rotate nosepiece to locating position.
	Sample isn't placed at right stage place.	Correctly placing sample and fixer it with holder.
2. Mechanical Focusing Unit		
a) Coarse focusing knob is too tight.	Tension too big.	Loosing tension adjusting ring, reset again.
b) Nosepiece glide down automatically.	Tension too small.	Tightening tension adjusting ring, reset again.
3. Binocular Observation Tube		
Field of Binocular observation tube isn't inconsistent.	Wrong interpupillary distance.	Correctly set again.
	Binocular diopter is incorrect.	
	Left eye and right eye with different eyepiece.	Change one eyepiece, to make it same as another eyepiece.
4. Power System		
a) Bulb don't work.	No bulb.	Install bulb.
	Bulb or fuse is broken.	Change new bulb or fuse.
	Don't plug in power.	Plug in power safely.
b) Bulb is easy broken.	Don't use specified specification bulb.	Use specified specification bulb.

5. Installation

5.1 Installation Diagram

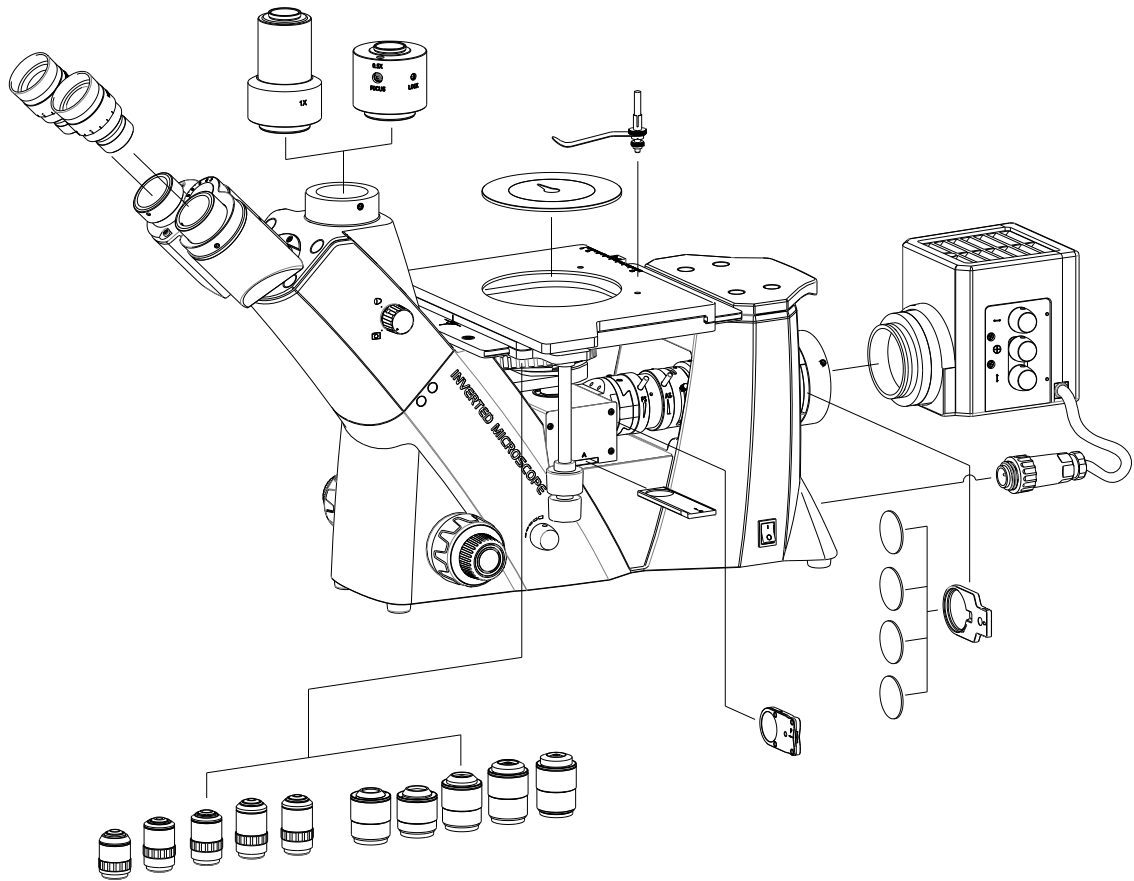


Figure-17

5.2 Installation Steps

5.2.1 Installation /Replacement of Bulb (Figure-1)



WARNING: Cut off the power line plug before replace bulb.

- a. Completely loosening screw on the top of the lamp house, pulling out lamp shade.
 - b. Loosening bulb pins locking screw, using glove or gauze to hold the bulb and insert fully into the socket.
 - c. Install the lamp again.
- © Bulb : Halogen 12V50W (PHILIPS or OSRAM)

5.2.2 Replacement of Fuse



WARNING: (Turn off the power plug at first)

Fuse box is installed below the power socket, fuse rating: Φ 5X20mm, 2A/250V

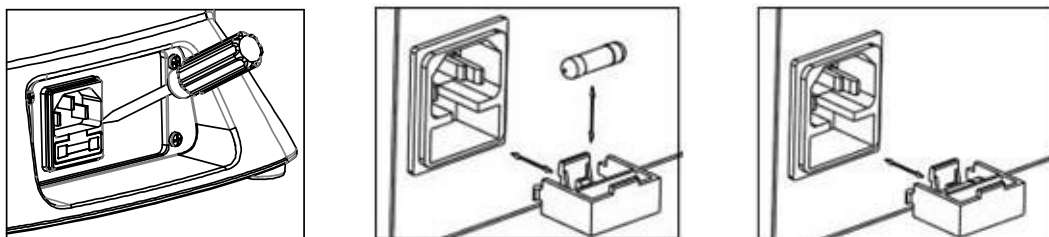


Figure-18 Replacement Of Fuse

5.2.3 Connecting Power Line



WARNING:

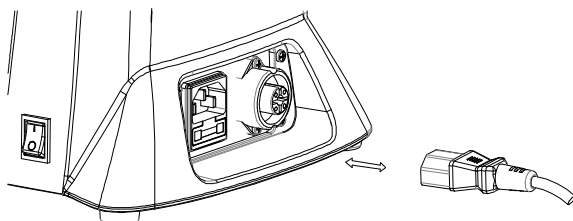


Figure-19 Connection of Power Line

- A. Don't curve or twine power line .
- B. Make sure the main switch at off mark **O** when connecting power lines.
- C. Must use three-phase plug which can connect ground electrode, Otherwise can't use the microscope. If power line is close to lamp house or relevant device, it will melt and cause electric leakage. So don't close to lamp house.

5.2.4 Installation of Objective

First, rise nosepiece gently, removing dust cover, then screw on the lowest power objective from stage's round hole ①, finally screw on objective from low power to high power with anti-clockwise direction.

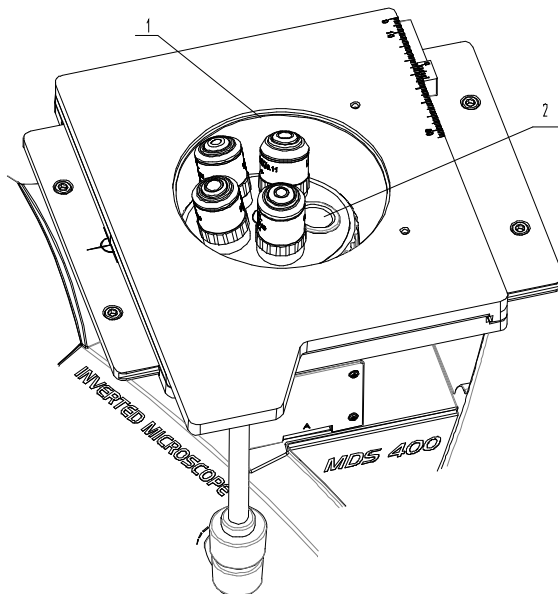


Figure-20 Installation of objective

- ★ Regularly clean objective, because inverted microscope objective easily has dust and dirt.
- ★ Must use dust cover to prevent dust and dirty.

5.2.5 Installation of Stage Plate

Put stage plate ① in the stage round hole, make sure stage in level position.

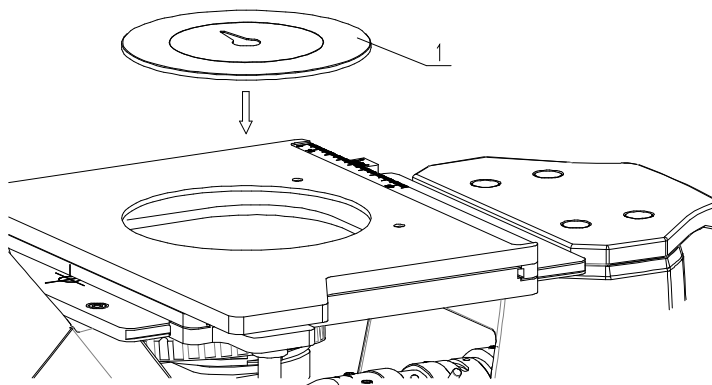


Figure- 21 Installation of stage plate

5.2.6 Installation of Lamp House



Make sure the main switch at off mark **O** when connecting power lines.

- a) Take lamp house parts out ①, firmly connecting with main body port.
- b) Use allen wrench to tighten two fix screws ②.
- c) Insert lamp house connecting lineplug in private jack, tighten plug's locking cap.

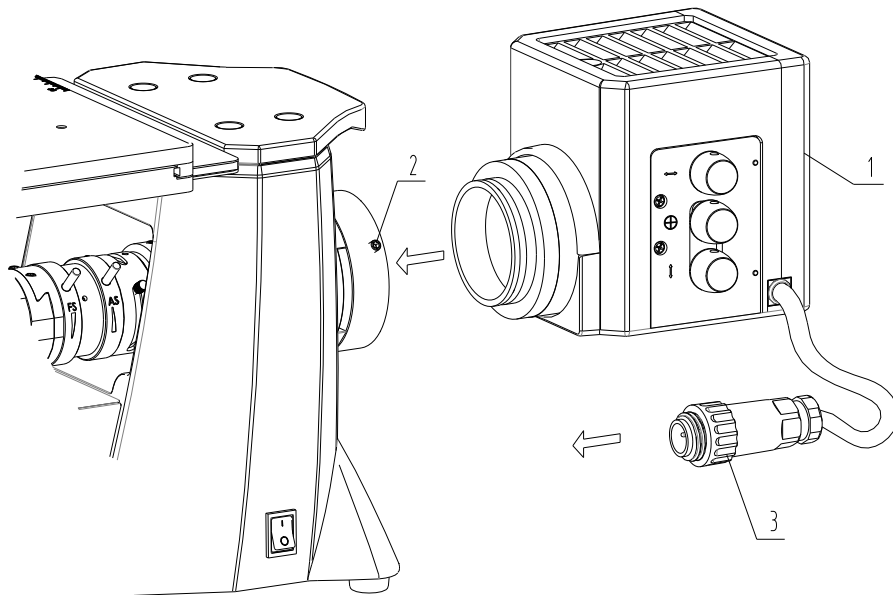


Figure- 22 Installation of Lamp House

5.2.7 Installation Of Photography Device

5.2.7.1 Installation of Video System (Optional)

- a) Remove the dust cover, use allen wrench to unscrew the locking screw at trinocular observation tube connector.
- b) Connecting C-mount with observation tube connector, digital camera with C-mount.
- c) Tightening the locking screw.

Please take down the digital camera if not in use, keep in dry environment. Cover observation tube connector with cap for anti-dust.

- d) Please read operation manual about usage

of digital camera and circuit connection.

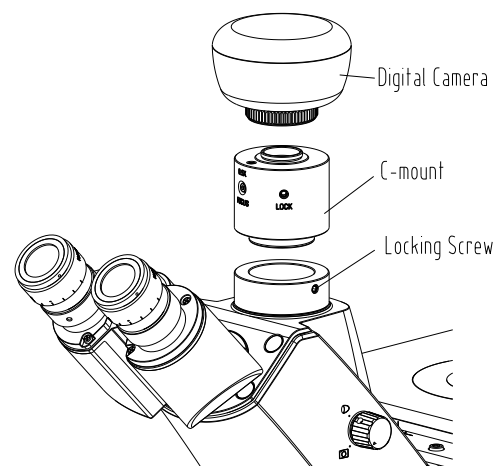


Figure-23 Installation of Video System

5.2.7.2 Installation of Digital Photography (Optional)

- a) Firstly, Remove the dust cover, use allen wrench to unscrew the locking screw at trinocular observation tube connector.
- b) Next, gently connect SLR digital camera with adaptor.
- c) Then connect SLR digital camera with C-mount.
- d) Finally, loosen photography eyepiece locking screw , adjust SLR digital camera direction according to user's need, then tightening the locking screw.
- e) Please take down the digital camera if not in use, keep in dry environment. Cover observation tube connector with cap for anti-dust.
- f) Please read operation manual about usage of SLR digital camera and circuit connection.

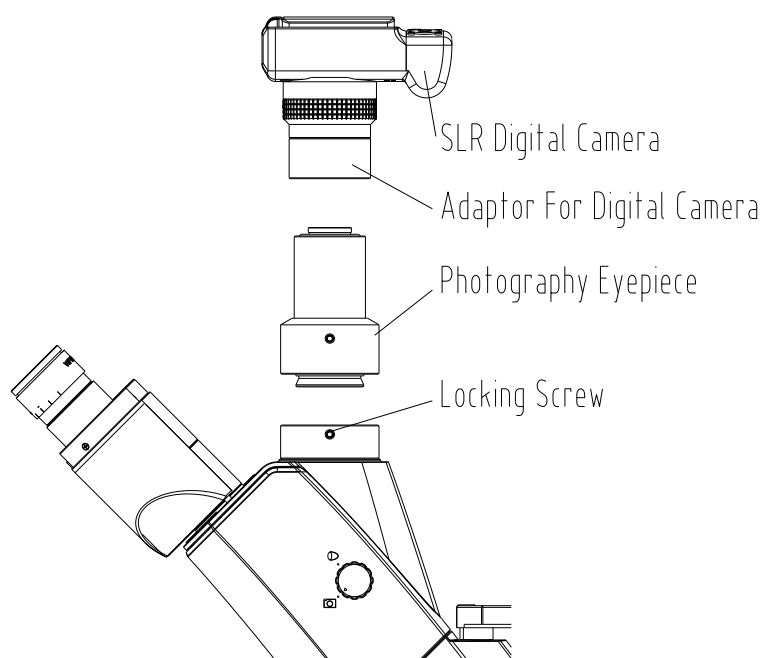


Figure- 24 Installation Of SLR Digital Camera

BestScope International Limited.

Add: 4#811, No.26 Financial Street, Shi Jing Shan District, Beijing, China

Tel: 010-88747221

Email: info@bestscope.net

Website: www.bestscope.net



BS-6005 Inverted Metallurgical Microscope