



The CALVET line

FOR CAPABLE CALORIMETRY



CALORIMETRY & APPLICATIONS

KEP Technologies is not simply an instrument company, but a full solution provider.

We do not claim that a single product is suited for all applications and have with our SETARAM brand developed a range of products with different characteristics to more closely meet your demands.

We are confident that with KEP Technologies you will find a dedicated calorimetry solution with the performance you need to get the best understanding of your materials. This being the case no matter which of our below market segments you may work in.



ENERGY & ENVIRONMENT

Heat of sorption for the characterization of catalysts, sorbents, CO₂ capture and sequestration processes, H₂ storage materials. Gas hydrates formation and dissociation, wax appearance. Characterization of heat storage materials. Thermal stability of nuclear wastes. Thermal stability of batteries.



INORGANIC MATERIALS SCIENCE

Thermophysical properties of ceramics, glass, metals and alloys, cements. Setting and hydration properties of cements. Heat of formation of oxides or intermetallics.



ORGANIC MATERIALS SCIENCE

Polymers and plastics thermal and thermophysical properties, impact of high pressure process conditions.



PROCESS SAFETY

Thermal stability of substances, Process understanding under normal or runaway conditions, Risks related to pressure build up.



LIFE SCIENCES

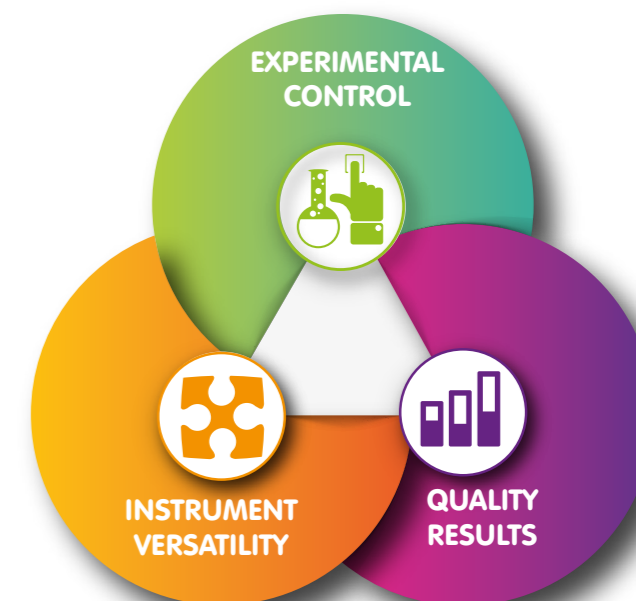
Polymorphism / Crystallinity, Thermal stability of drugs, Biomolecules denaturation and aggregation. Thermal behavior of food, and of food components like lipids, carbohydrates, proteins: it includes melting, crystallization, stability vs. oxidation, powder dissolution, gel formation etc. Metabolism of living organisms.

THE KEP TECHNOLOGIES ADVANTAGE

Each Calvet calorimeter also embodies our "Reimagine Material Characterization" value proposition. It does so by delivering the three core customer benefits of Experimental Control, Instrument Versatility and Quality Results.

We know that solutions that provide these benefits will deliver the highest value to our customers.

In addition to our core customer benefits, we are able to provide customized solutions by harnessing the engineering and project management expertise of our highly skilled organization.



CUSTOMIZED SOLUTIONS

Modular design allows for upgraded and tailored functionality
Access to all previous non-proprietary custom requests
Open access to engineering development team

THE CALVET LINE

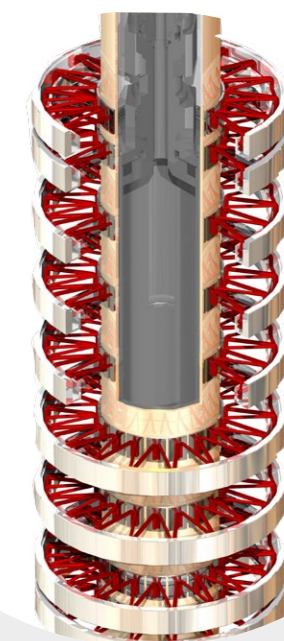
Owing to their 3D sensors and Joule effect calibration, the CALVET line of calorimeters provide the most accurate measurements of temperature and of:

- Heat: for the characterization of any heat releasing or heat absorbing phenomenon
- Specific Heat Capacity (C_p): for any application requiring this key thermophysical property, like heat transfer calculation or heat management

The calorimeters of the CALVET line use the superior 3D sensor design in which a sample and reference cells are totally surrounded by an array of thermocouples allowing for the measurement of all heat including radiation, convection or conduction. The 3D sensor is up to 95% efficient whereas typical plate DSC sensors are between 30-50%.

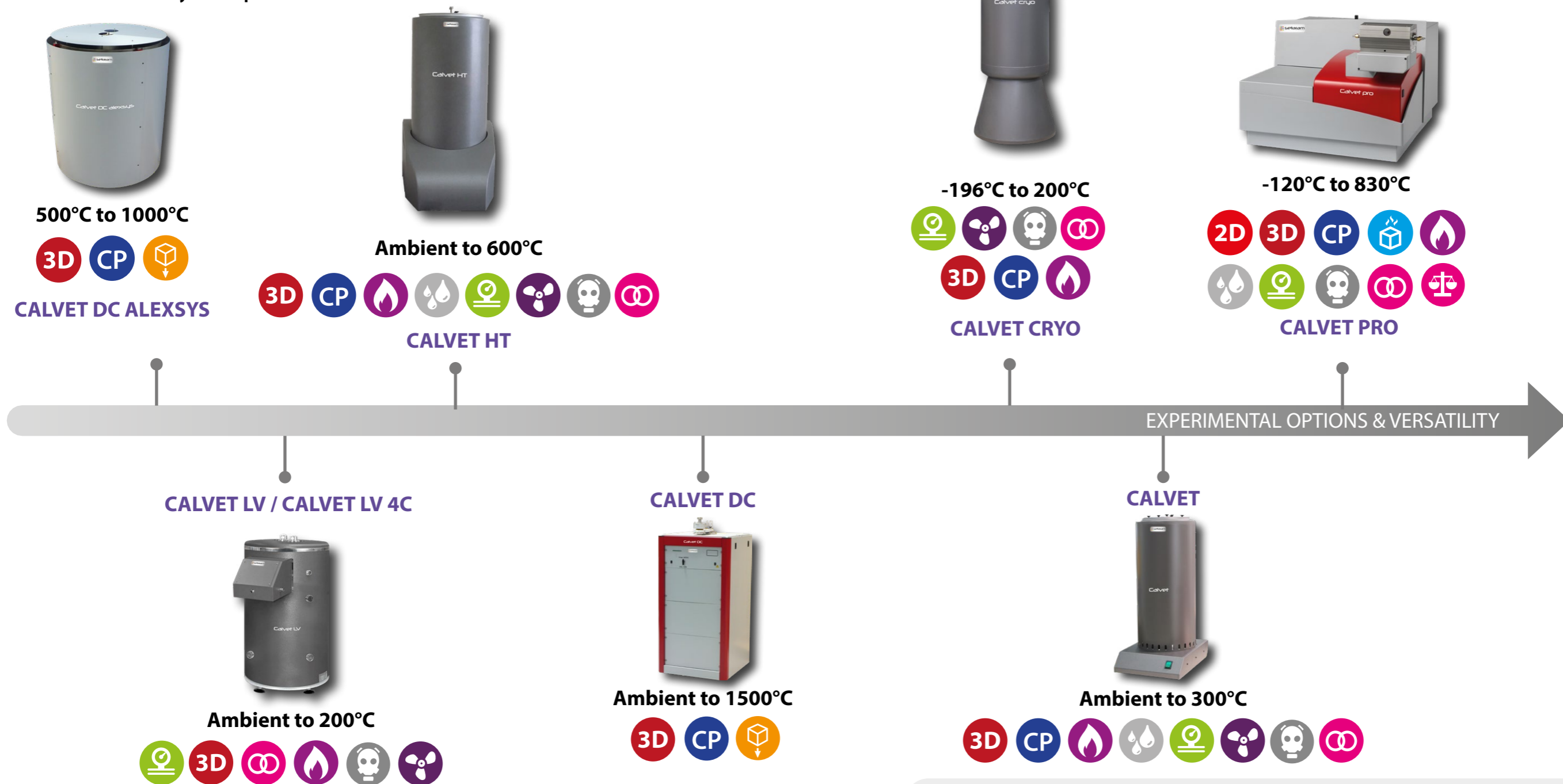
CALVET line sensors use a specific electrical calibration also called Joule effect. It can be performed at any constant temperature, or under scanning conditions, and does not require reference materials.

The combination of 3D sensor efficiency and absolute Joule effect calibration provides an unparalleled accuracy of measurement independent of sample nature or matrix – solid, liquid, gas, powder etc.



CALVET LINE CALORIMETERS

Our range of calorimeters for the characterization of materials across wide temperature ranges and using all common calorimetry techniques.



CALISTO - CALORIMETRY SOFTWARE

CALISTO 2.0 is the industry standard calorimeter software developed for all Setaram instrumentation and applications. It's quick to install and comprises of two independent parts:

- **CALISTO ACQUISITION:** dedicated to the control and data acquisition of our calorimetry systems.
- **CALISTO PROCESSING:** for the treatment of calorimetry data independent of instrument type.

CALISTO software includes over 100 customer-requested features and promises to be the most powerful, flexible and intuitive data treatment software in calorimetry.

See calisto-software.com for more information on the power of Calisto 2.0 software.

PLUG-IN ACCESSORIES



FLEXI HP
High Pressure

Measurement and control of sample pressure



FLEXI WET
Humidity Control

Stand alone wet gas generator



FLEXI HP MS
Evolved gas

High pressure mass spectrometer

<p>2D DSC – DIFFERENTIAL SCANNING CALORIMETRY Measures heatflow, heat and heat capacity</p>	<p>EGA – EVOLVED GAS ANALYSIS Combines your DSC, TGA or STA with any gas analyser for quantitative analysis using techniques such as FTIR, MS, GC-MS, FTIR/MS or FTIR/GC-MS</p>	<p>MIXING Can mix two or more samples inside the calorimeter sensor for heat of mixing measurements</p>
<p>3D 3D CALVET SENSOR Three dimensional measurement capturing up to 95% of heat for unparalleled accuracy and precision</p>	<p>GAS SORPTION ANALYSIS Characterizes materials sorption capacities and rates</p>	<p>CORROSIVE AND REACTIVE GASES Able to run in various aggressive atmospheres according to the calorimeter's configuration</p>
<p>CP HEAT CAPACITY Ideal tool for accurate heat capacity measurements</p>	<p>HUMIDITY Can be coupled with FLEXI WET or other relative humidity accessories</p>	<p>COUPLING Couples with GASPRO option</p>
<p>DROP CALORIMETRY Measures heat when the sample is dropped from outside into the calorimeter</p>	<p>PRESSURE VACUUM Operates under high pressure and vacuum</p>	<p>TGA – THERMOGRAVIMETRIC ANALYSIS Measures mass loss and uptake, thermal stability, decompositions and solid-gas reactions</p>

CALVET



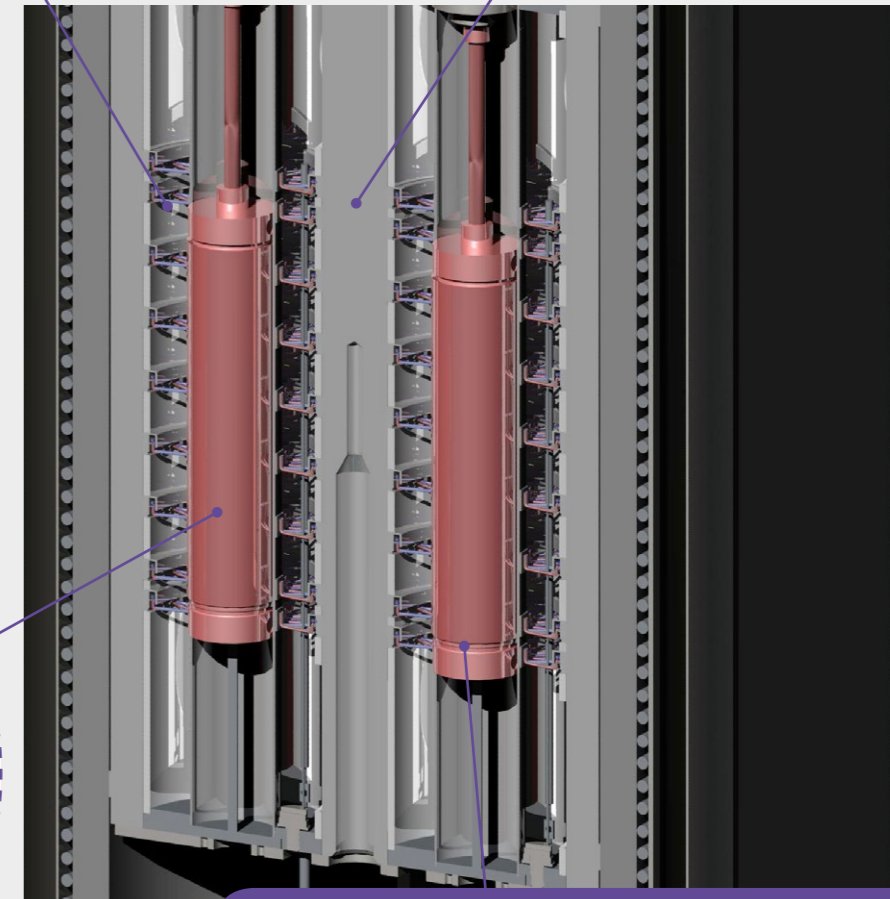
- HIGHEST HEAT MEASUREMENT ACCURACY**
 Calvet 3D sensor based on thermocouples with Joule effect calibration
- ISOTHERMAL OR TEMPERATURE SCANNING MODES**
 for increased flexibility and replication of real life conditions
- CONVENIENT INTERCHANGEABLE CRUCIBLES AND CELLS**
 to perform even the most demanding experiments using one instrument :
 - high pressure (up to 1000 bar) and high vacuum
 - pressure measurement and control
 - mixing/stirring experiments
- EXTERNAL COUPLING CAPABILITY**
 designed to increase your research options including manometry, BET instrumentation, gas analyzers, humidity controllers and gas panels

TEMPERATURE	
Temperature range (°C)	Ambient to 300
Temperature accuracy (°C)	+/- 0.3*
Temperature precision (°C)	+/- 0.15*
Programmable temperature scanning rate (°C/min)	0.001 to 2
HEAT & HEAT FLOW	
Enthalpy accuracy (%)	+/- 0.4*
Calorimetric precision (%)	+/- 0.4*
RMS noise (µW)	1
Resolution (µW)	0.1
Dynamic Range (mW)	+/- 660; +/- 2 000
GENERAL	
Cells volume (ml)	Up to 12.5 (standard cell)
Pressure measured and controlled (bar [psi])	350 [5,075]; 600 [8,700]; 1000 [14,600]
Weight (kg)	30
Dimensions (Height/Width/Depth)	60/25/31 cm 23.6/9.8/12.2 inch
Power requirements	230V-50/60 Hz

* Based on indium melting tests

The 3D sensor of CALVET is composed of 2 cylindrical thermopiles: each has 9 concentric rings, and each ring contains 19 thermocouples (171 in total). Each thermopile totally surrounds either the sample or the reference zone to measure heat in all directions.

CALVET is based on a highly robust calorimetric block, controlling the measurement zone at a constant temperature or heating rate, between room temperature and 300 °C.



Cross section of the CALVET calorimeter

The sample, within a measurement cell, is placed directly into the center of the measurement zone.

The cell can be a simply closed cylinder, or equipped with tools for mixing and stirring, pressure measurement and gas or liquid flow.

Cells and tools are made of temperature and corrosion resistant metals and polymers.

New cells can be designed and configured to suit your application.

Specific cells are designed to couple CALVET with other analytical tools like sorption analysis instruments (Sievert's, BET), or atmosphere control systems (FLEXI-WET humid gas controller, FLEXI HP).

CALVET CRYO



- HIGHEST HEAT MEASUREMENT ACCURACY**
 Calvet 3D sensor based on thermocouples with Joule effect calibration
- SUB-AMBIENT TEMPERATURE OPERATIONS**
 with solutions adapted to your need down to as low as -196°C
- ISOTHERMAL OR TEMPERATURE SCANNING MODES**
 for increased flexibility and replication of real life conditions
- CONVENIENT INTERCHANGEABLE CRUCIBLES AND CELLS**
 to perform even the most demanding experiments using one instrument :
 - high pressure (up to 1000 bar) and high vacuum
 - pressure measurement and control
 - mixing/stirring experiments
- EXTERNAL COUPLING CAPABILITY**

TEMPERATURE		CALVET CRYO
Temperature range (°C)		-196 to 200
Temperature accuracy (°C)		+/- 0.5*
Temperature precision (°C)		+/- 0.25*
Programmable temperature scanning rate (°C/min)		0.01 to 1
HEAT & HEAT FLOW		
Enthalpy accuracy (%)		+/- 0.2*
Calorimetric precision (%)		+/- 0.5*
RMS noise (µW)		1
Resolution (µW)		0.1
Dynamic Range (mW)		+/- 50; +/- 500; +/- 1 500
GENERAL		
Cells volume (ml)		Up to 12.5 (standard cell)
Pressure measured and controlled (bar [psi])		100 [1,450]; 600 [8,700]; 1000 [14,600]
Weight (kg)		60 (excluding cooling system)
Dimensions (Height/Width/Depth)		105/40/40 cm 41.3/15.7/15.7 inch
Power requirements		230V-50/60 Hz

* Based on indium melting tests

The 3D sensor of CALVET CRYO is composed of 2 cylindrical thermopiles: each has 480 thermocouples. Each thermopile totally surrounds either the sample or the reference zone **to measure heat in all directions.**

CALVET CRYO is based on a calorimetric block, controlling the measurement zone at a constant temperature or heating rate, up to 200°C.

The CALVET CRYO calorimeter is **linked to a liquid nitrogen tank or to a high performance chiller for low temperature operations.** The cooling fluid is injected in an internal enclosure around the calorimetric block.

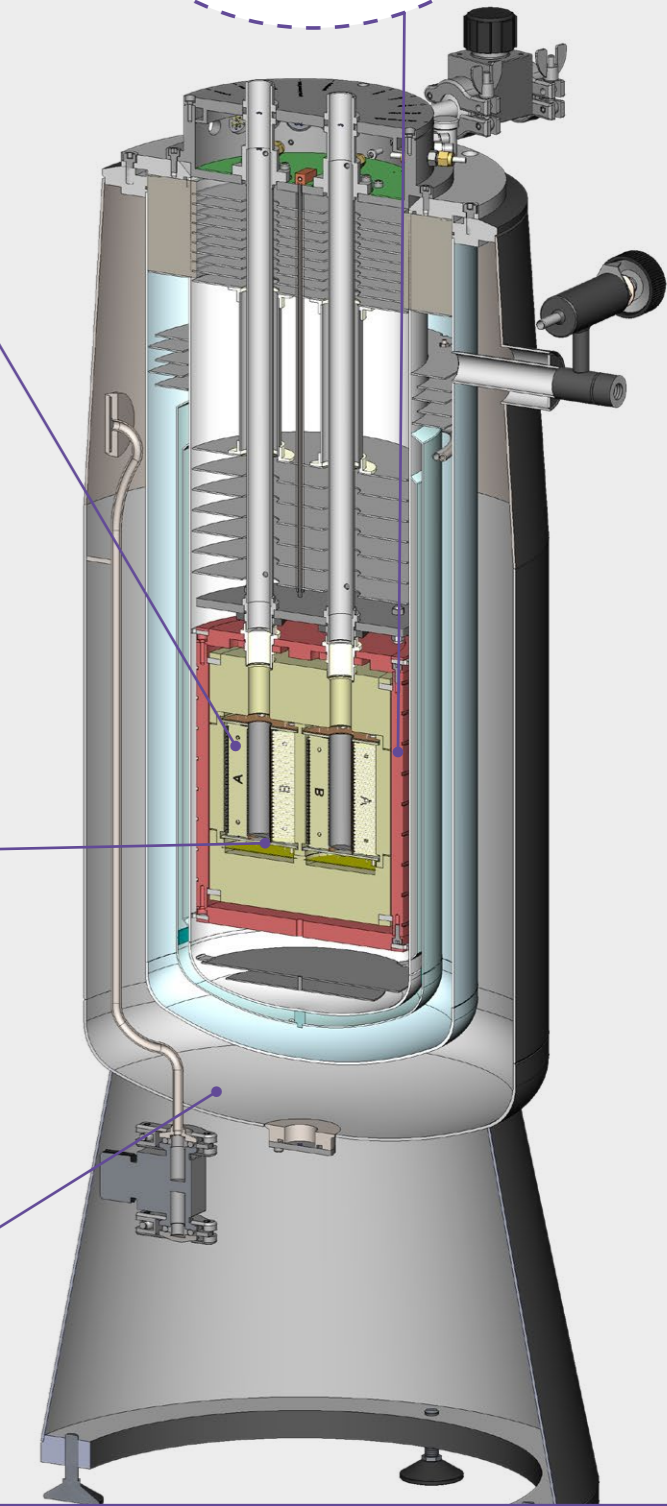
The sample, within a measurement cell, is placed directly into the center of the measurement zone. The atmosphere around the cell is controlled to avoid the presence of humidity.

The cell can be a simply closed cylinder, or equipped with tools for mixing and stirring, pressure measurement, and coupling to extra instrumentation.

Cells and tools are made of temperature and corrosion resistant metals and polymers.

New cells can be designed and configured to suit your application.

The external enclosure is placed under permanent vacuum to **improve insulation** and avoid most moisture condensation on the outside of the calorimeter.



Cross section of the CALVET CRYO calorimeter

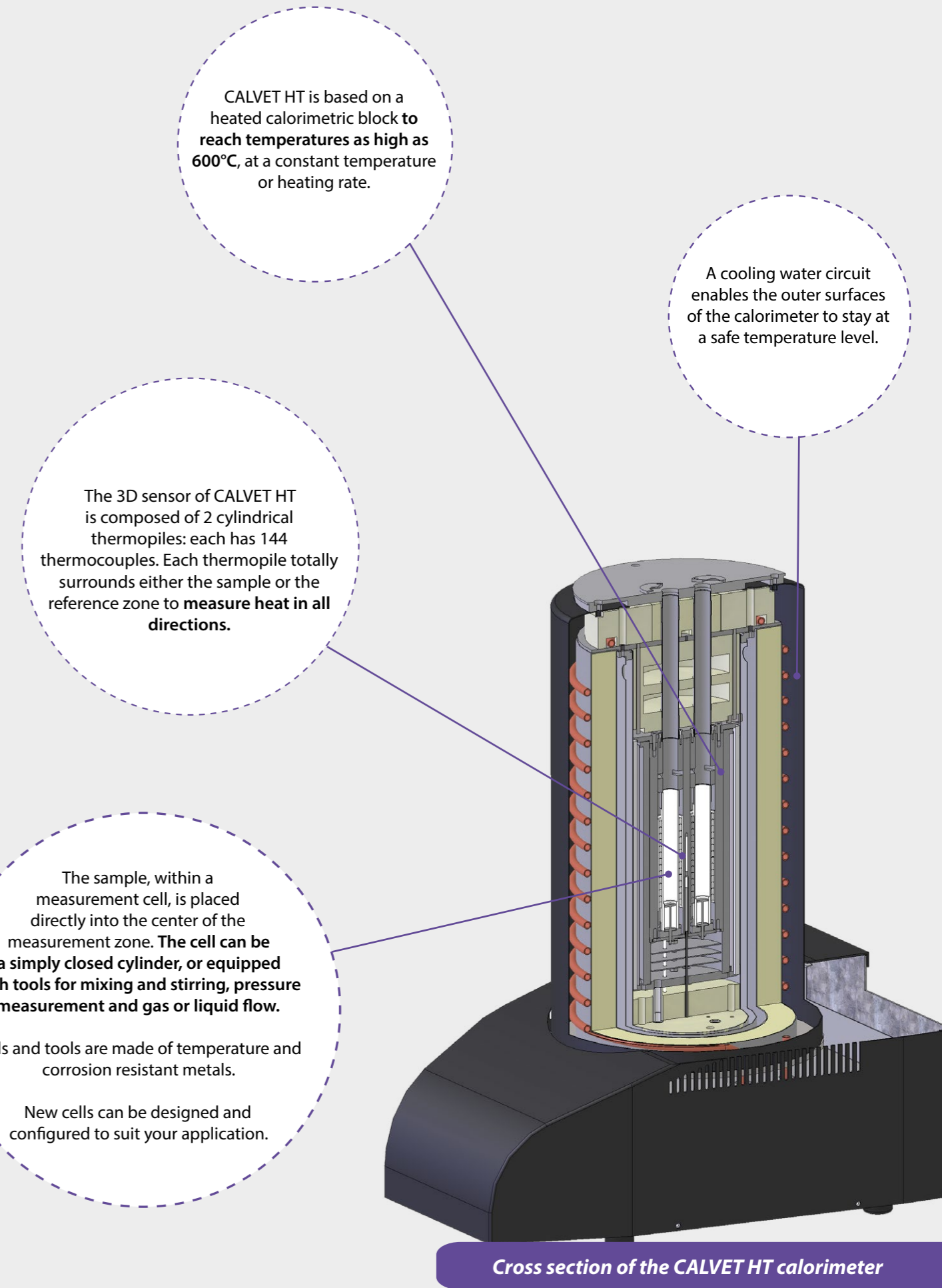
CALVET HT



- HIGH TEMPERATURE OPERATIONS**
up to 600 °C
- ISOTHERMAL OR TEMPERATURE SCANNING MODES**
for increased flexibility and replication of real life conditions
- CONVENIENT INTERCHANGEABLE CRUCIBLES AND CELLS**
to perform even the most demanding experiments using one instrument :
 - high pressure (up to 400 bar) and high vacuum
 - pressure measurement and control
 - mixing/stirring experiments
- EXTERNAL COUPLING CAPABILITY**

TEMPERATURE	CALVET HT
Temperature range (°C)	Ambient to 600
Temperature accuracy (°C)	+/- 1*
Temperature precision (°C)	+/- 0.5*
Programmable temperature scanning rate (°C/min)	0.01 to 2
HEAT & HEAT FLOW	
Enthalpy accuracy (%)	+/- 1*
Calorimetric precision (%)	+/-1.5*
RMS noise (µW)	2
Resolution (µW)	0.5
Dynamic Range (mW)	+/- 3500
GENERAL	
Cells volume (ml)	Up to 7
Pressure measured and controlled (bar [psi])	100 [1,450]; 300 [4,350]; 400 [5,800]
Weight (kg)	50
Dimensions (Height/Width/Depth)	64/35.5/50.5 cm 25.2/14/19.9 inch
Power requirements	230V-50/60 Hz

* Based on indium melting tests



CALVET PRO

HIGHEST HEAT MEASUREMENT ACCURACY

Calvet 3D sensor based on thermocouples with Joule effect calibration

HIGHEST MASS VARIATION ACCURACY

with its optional Hang-down Symmetrical Beam Balance

SUB-AMBIENT TO HIGH TEMPERATURE OPERATIONS

with solutions from -120 to 830 °C

ISOTHERMAL OR TEMPERATURE SCANNING MODES

for increased flexibility and replication of real life conditions

CONVENIENT INTERCHANGEABLE CRUCIBLES AND CELLS

to perform even the most demanding experiments using one instrument :

- high pressure (up to 500 bar) and high vacuum
- pressure resistance, measurement or control
- packed bed reactor experiments

EXTERNAL COUPLING CAPABILITY



TEMPERATURE		CALVET PRO
Temperature range (°C)		Ambient to 830°C -120 to 200 °C (with cooling accessory)
Temperature accuracy (°C)		+/- 0.05*
Temperature precision (°C)		+/- 0.15*
Programmable temperature scanning rate (°C/min)		0.01 to 30
HEAT & HEAT FLOW		
Enthalpy accuracy (%)		+/- 0.8*
Calorimetric precision (%)		+/- 0.4*
RMS noise (µW)		0.2
Resolution (µW)		0.35 ; 0.035
Dynamic Range (mW)		+/- 290; +/- 2900
MASS VARIATION***		
Weighing accuracy (%)		+/- 0.1**
Weighing precision (%)		+/- 0.05**
RMS noise (µg)		0.5
Resolution (µg)		0.02; 0.002
Baseline dynamic drift (µg)		< 15
Weight Range (mg)		+/- 200
GENERAL		
Crucible or cells volume (ml)		Up to 0.32 depending on the chosen design and material (aluminium, incoloy, graphite, alumina, platinum, etc)
Pressure (bar [psi])		400 [5,800] (measured and controlled); 500 [7,250] (resistant)
Weight (kg)		45 55***
Dimensions (Height/Width/Depth)		45 / 53 / 58 cm 17.7 / 20.9 / 22.8 in 60 (closed) 80 (open)/53/58 cm*** 23.6 (closed) 31.4 (open)/20.9/22.8 in***
Power requirements		230V-50/60 Hz

* Based on indium melting tests **Based on CuSO4. 5H2O dehydration ***With TG option

CALVET PRO is based on a highly robust calorimetric block, controlling the measurement zone between -120 and 830 °C.

The optional Hang-down Symmetrical Beam Balance measures sample mass variations while improving gas/sample interaction with the maximum exposure of sample to gas environment.

With near-zero drift or buoyancy effect, it performs the most reliable long term stability studies.

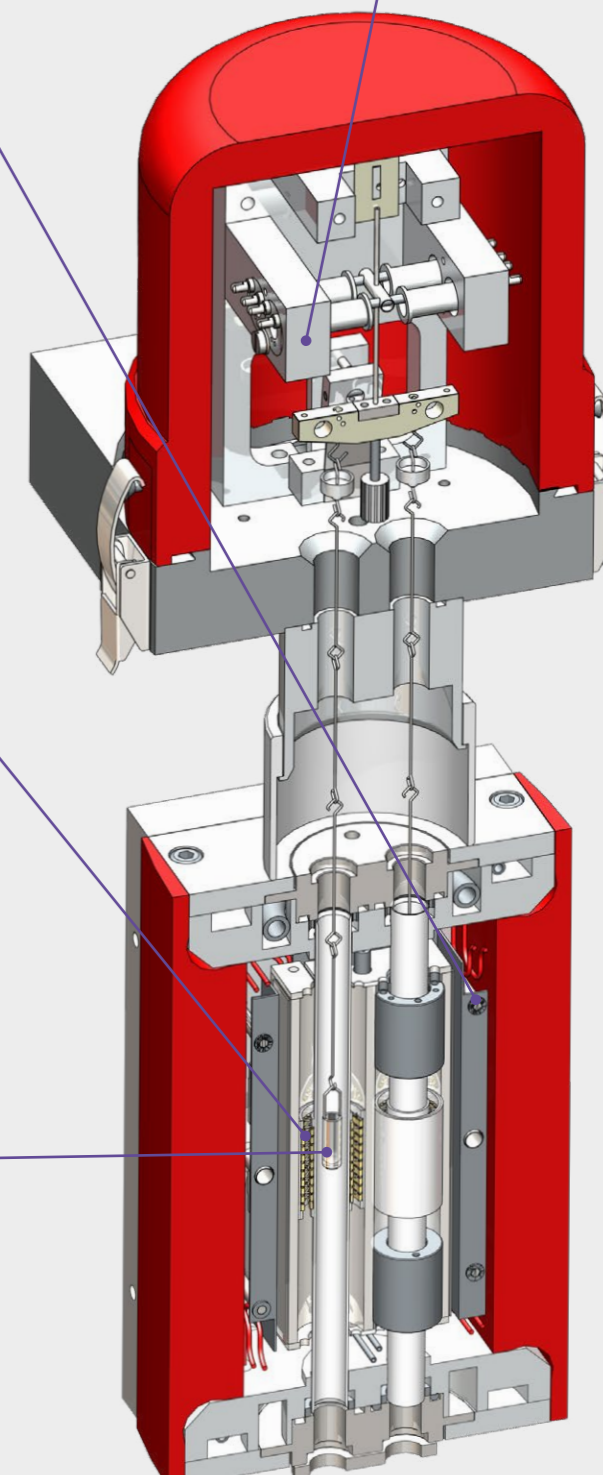
The 3D sensor of CALVET PRO is composed of 2 cylindrical thermopiles: each has 10 concentric rings, and each ring contains 12 thermocouples (120 in total). Each thermopile totally surrounds either the sample or the reference zone to measure heat in all directions.

The sample, within a measurement crucible, is placed directly into the center of the measurement zone.

The crucible can be a simply open or closed cylinder, or equipped with tools to couple CALVET PRO with other analytical tools like evolved gas analyzers (FTIR, MS, GCMS, MS-FTIR, or FTIR-GCMS), sorption analysis instruments (Sievert's, BET), or atmosphere control systems (FLEXI WET humid gas controller, FLEXI HP)

Crucibles and cells are made of temperature and corrosion resistant metals or ceramics.

New cells can be designed and configured to suit your application.



Cross section of the CALVET PRO

CALVET LV



- HIGHEST HEAT MEASUREMENT ACCURACY**
 with Calvet 3D sensor based on thermocouples with Joule effect calibration
- ISOTHERMAL CONDITIONS**
 from ambient to 200 °C
- LARGE SAMPLE VOLUMES**
 up to 100 mL, or two D-type batteries
- CONVENIENT INTERCHANGEABLE CRUCIBLES AND CELLS**
 to perform even the most demanding experiments using one instrument :
 - high pressure (up to 350 bar) and high vacuum
 - pressure resistance, measurement and control
 - mixing/stirring experiments
 - batteries charge/discharge cycles
- 4 CELL VERSIONS**
 for a higher throughput

TEMPERATURE	
Temperature range (°C)	Ambient to 200
Temperature accuracy (°C)	+/- 0.4*
Temperature modes	Isothermal or scanning < 2°C/h
HEAT & HEAT FLOW	
Enthalpy accuracy (%)	+/- 0.2*
RMS noise (µW)	0.5
Resolution (µW)	0.08
Dynamic Range (mW)	+/- 500
GENERAL	
Cells volume (ml)	Up to 93.3 (standard cell)
Pressure measured and controlled (bar [psi])	100 [1,450]; 350 [5,075]
Weight (kg)	230
Dimensions (Height/Width/Depth)	110/70/88 cm 43.3/27.6/34.6 inch
Power requirements	230V-50/60 Hz

* Based on indium melting tests

The 3D sensor of CALVET LV is composed of 2 or 4 cylindrical thermopiles. Each has up to 1316 thermocouples. Each thermopile totally surrounds either the sample or the reference zone to measure heat in all directions.

CALVET LV is based on a large and stable calorimetric block, controlling the measurement zone at a constant temperature up to 200°C.

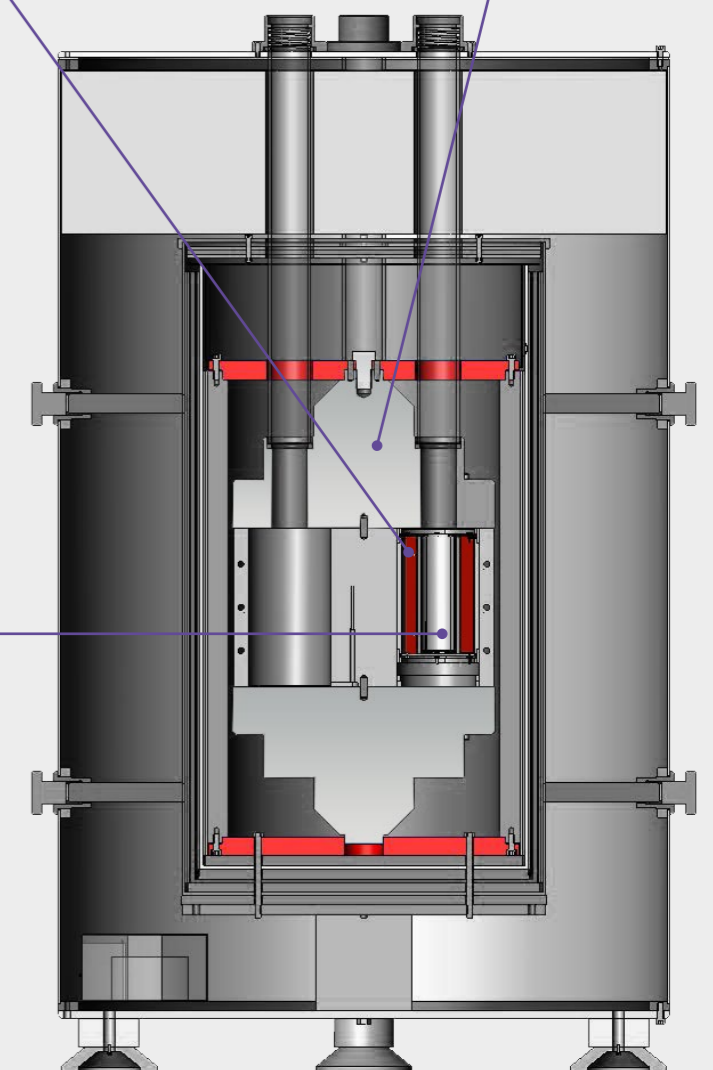
It can be provided with 2 or 4 calorimetric wells, for 1 or 2 pairs of measurement cells (sample + reference).

The sample, within a measurement cell, is placed directly into the center of the measurement zone.

The cell can be a simply closed cylinder, or equipped with tools for mixing and stirring, pressure measurement, gas flow, or coupling to a battery cycler for example.

Cells and tools are made of temperature and corrosion resistant metals and polymers.

New cells can be designed and configured to suit your application



Cross section of the CALVET LV calorimeter



- **IMPROVED HEAT CAPACITY AND HEAT MEASUREMENTS** with Calvet 3D sensor based on thermocouples
- **HIGH TEMPERATURE MEASUREMENTS BY DROP CALORIMETRY** for accurate heat capacity, and heat content measurements
- **HIGH TEMPERATURE MEASUREMENTS BY HEAT FLUX DSC** for accurate heat capacity, heat of phase transitions, and glass transition measurements
- **ISOTHERMAL OR TEMPERATURE SCANNING CONDITIONS** up to 1500 °C or 1600 °C
- **CONVENIENT AUTOMATED sample charger** for multiple successive drops

TEMPERATURE		CALVET DC	
Temperature range (°C)	Up to 1300 or 1500	Up to 1400 or 1600	
Temperature accuracy (°C)	-	+/-2	
Temperature stability (°C)	0.3°C	-	
HEAT & HEAT FLOW			
Calorimetric accuracy (%)	+2%*	2.5%*	
RMS noise (µW)	300	80	
Resolution (µW)	5	4	
GENERAL			
Cells volume (ml)	Up to 5 (platinum crucible) or 5.7 (alumina crucible)	Up to 0.45	
Weight (kg)	185		
Dimensions (Height/Width/Depth)	150/70/65 cm 59.1/27.6/25.6 inch		
Power requirements	230V-50/60 Hz		

* Based on published data

CALVET DC is based on a modular high temperature furnace, that can be equipped with two exchangeable sensor types for distinct high temperature measurements: Heat Flux DSC or Drop Calorimetry.

The Drop sensor is composed of 56 thermocouples placed between a reference zone and a sample zone. It is calibrated by dropping sapphire pellets between each experiment.

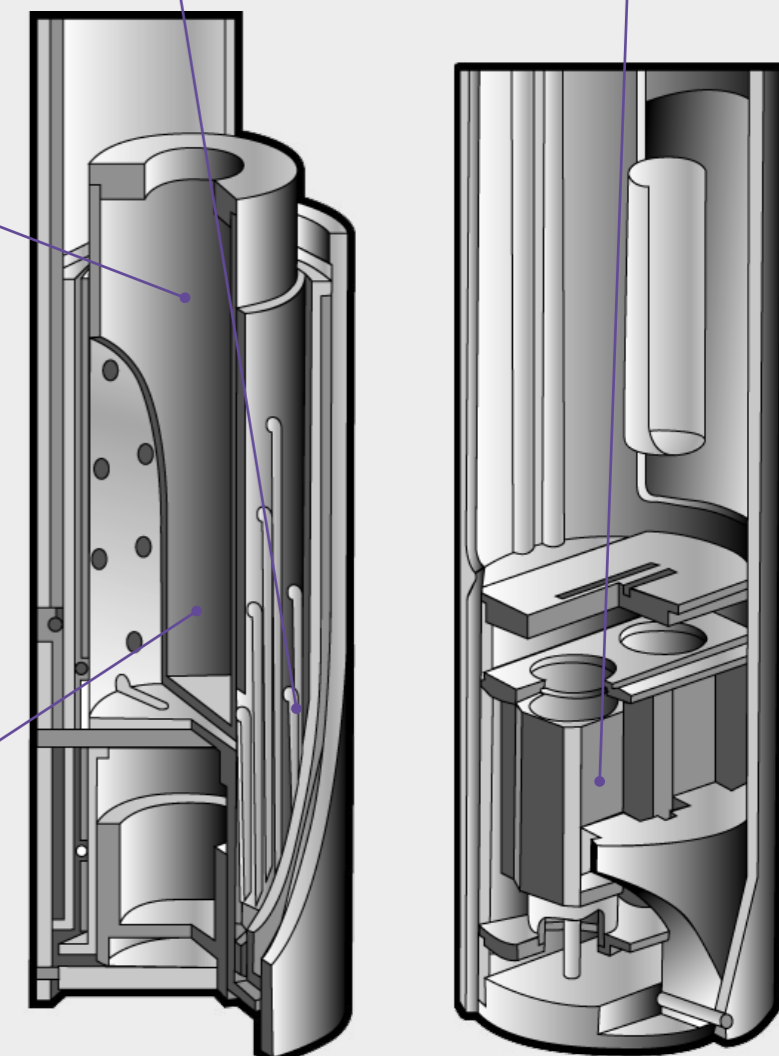
The HF-DSC sensor is composed of 20 thermocouples placed between a reference zone and a sample zone. It is calibrated by melting of standard materials.

Drop calorimetry simply consists of letting a sample of material drop at room temperature into a calorimeter placed at high temperature.

The drop calorimeter measures the heat necessary to change the temperature of the sample from room temperature to the high temperature.

The Drop Calorimetry module can be used with an airless sample transfer system for oxygen or moisture sensitive materials. A convenient automated sample charger is also available as an option.

The cells are designed to receive a sample dropped through a drop tube, and may contain a molten solvent to conduct drop solution experiments at high temperature.



Cross sections of the HF-DSC (left) and Drop (right) CALVET DC sensors

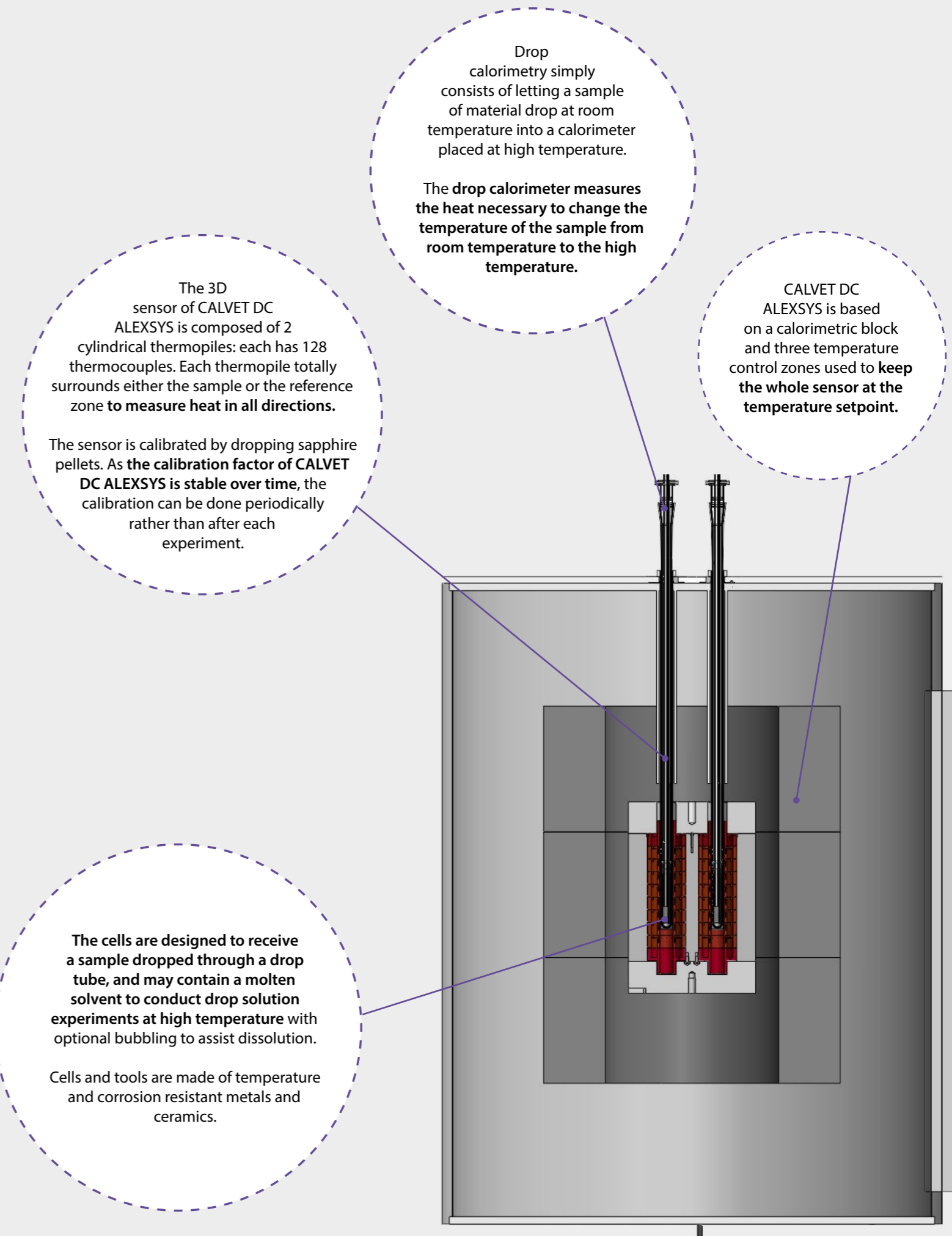
CALVET DC ALEXSYS



- BEST IN CLASS HIGH TEMPERATURE MEASUREMENTS BY DROP CALORIMETRY**
improved heat capacity, heat of phase transitions, heat content measurements
- HIGHLY SENSITIVE HIGH TEMPERATURE CALVET 3D SENSOR**
dual drop capability with a measurement drop tube and a reference drop tube
- ISOTHERMAL CONDITIONS**
up to 800 or 1000 °C
- FINE CONTROL OF THE SAMPLE REACTIVITY**
and preserved sensor lifetime with an Inconel protective tube, a chemically inert silica based drop tube with optional platinum liner, and the control of the atmosphere above the sample

TEMPERATURE	CALVET DC ALEXSYS	
Temperature range (°C)	500 to 800	500 to 1000
Temperature stability (°C)	+/- 0.2	+/- 0.2
HEAT & HEAT FLOW		
Calorimetric precision (%)	+/- 1%*	+/- 1%*
RMS noise (µW)	30	30
Resolution (µW)	12.5	12.5
GENERAL		
Cells volume (ml)	Up to 28 ml (quartz cell) or 20 ml (platinum crucible)	
Weight (kg)	300	300
Dimensions (Diameter /Height)	800 / 880 mm, Separate electronics	
Power requirements	230V-50/60 Hz	

* Based on sapphire drop



Cross section of the CALVET DC ALEXSYS



Switzerland – France – China – United States – India – Hong Kong
For contact details: www.setaramsolutions.com or setaram@kep-technologies.com

