

Shaking Incubator(SI-100 / SI-100R)

쉐이킹인큐베이터



Features

- Accurate temperature controls by Digital PID controller.
- Accurate speed control and digital mark function made for user convenience.
- Circulation device in internal chamber have a little noise and keep overall temperature evenly.
- Overheat, over current prevention device for users and safety function to stop shaking device automatically when door open.
- Various holder and plate available according to users spec.
- Little noise designed structurally.

Specifications

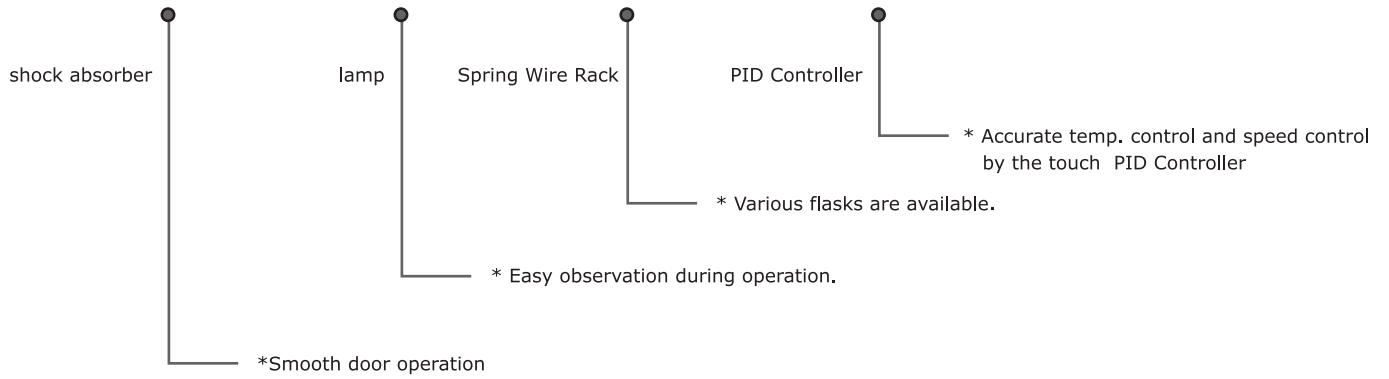
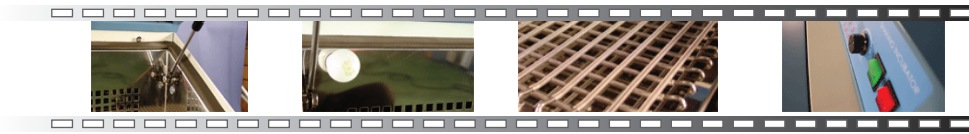
Made in Korea

Spec. / Model		SI-100	SI-100R
Temp	Range	Amb +5℃~60℃	0℃~60℃
	Controller	Digital PID Controller	
	Accuracy	±0.2℃ at 37℃	
Size	Internal (WxDxH, mm)	530x560x380 (112L)	
	External (WxDxH, mm)	590x850x770	590x850x880
Safety	Electrical	Over temp limiter, ELB(Earth Leakage Circuit Breaker), Pause stop	
Material	Internal	Stainless steel (#304)	
	External	Steel, Powder coating	
Speed Range		20 ~300 rpm	
Shaking Stroke		20mm Orbital Motion	
Light System		LED Lamp 4W	
Refrigerator		None	1/4 HP
Electric Requirements		220VAC. 50 or 60Hz	

Shaking Incubator

쉐이킹인큐베이터

Distinction



Structure

