

Sterilizer

Clean Bench

크린벤치



Features

- Efficient up to 99.97% at 0.3 um with Hepa filters.
- Easily notice the replacement timing of the HEPA filter.
- Compact switch type control panel.
- Flow can be adjusted by two stages, strong / weak.
- Clear glass window for easy view into the work zone.
- Louver for internal light is Stainless steel #304 and not changed by light though used long times.
- UV lamp operation can easily be notified.
- Safe workbench with vertical laminar airflow.

Specifications

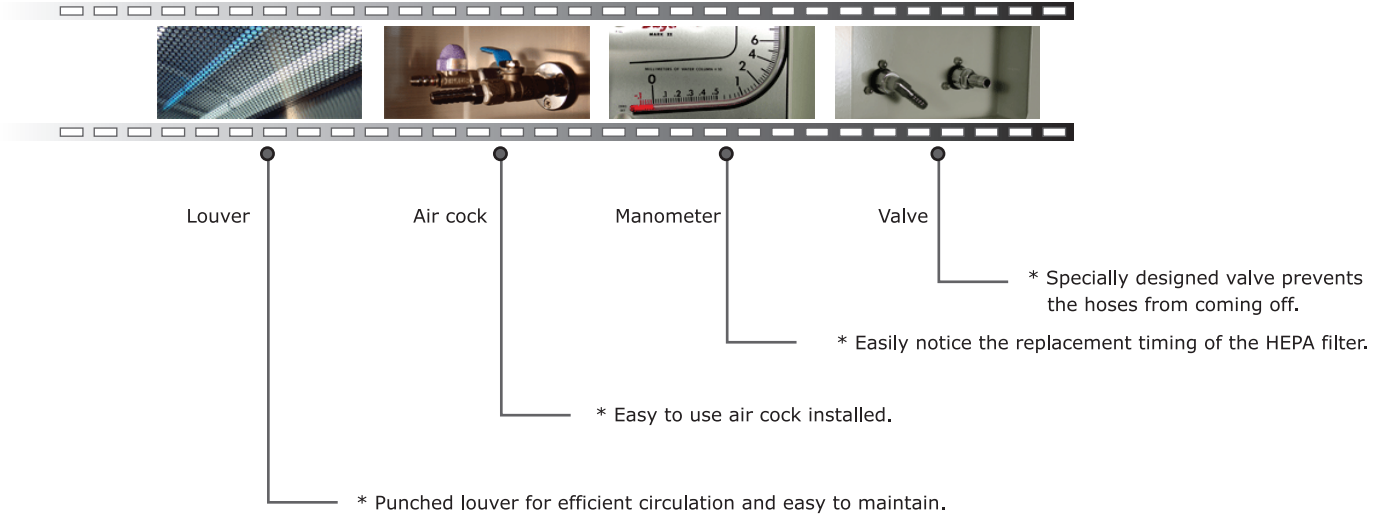
Made in Korea

Spec. / Model	CB-100	CB-130	CB-160
Type	Vertical Flow / Horizontal Flow / Bio type		
Working area (WxDxH, mm)	900x630x630	1200x630x630	1500x630x630
External size (WxDxH, mm)	1000x830x1830	1300x830x1830	1600x830x1830
Main filter	HEPA filter / 0.3 μ m particle 99.97%		
Prefilter	High efficiency nylon filter		
Purity	Class 100		
Air velocity	0.3 ~ 0.5 m/sec, adjustable type		
Air flow meter	Analog manometer		
Illumination	20W FL x 2ea	40W FL x 2ea	40W FL x 2ea
Sterilizing	20W UV x 2ea	40W UV x 1ea 20W UV x 1ea	40W UV x 1ea 20W UV x 1ea
Utility	Two consent		
Blower	1ea	1ea	1ea

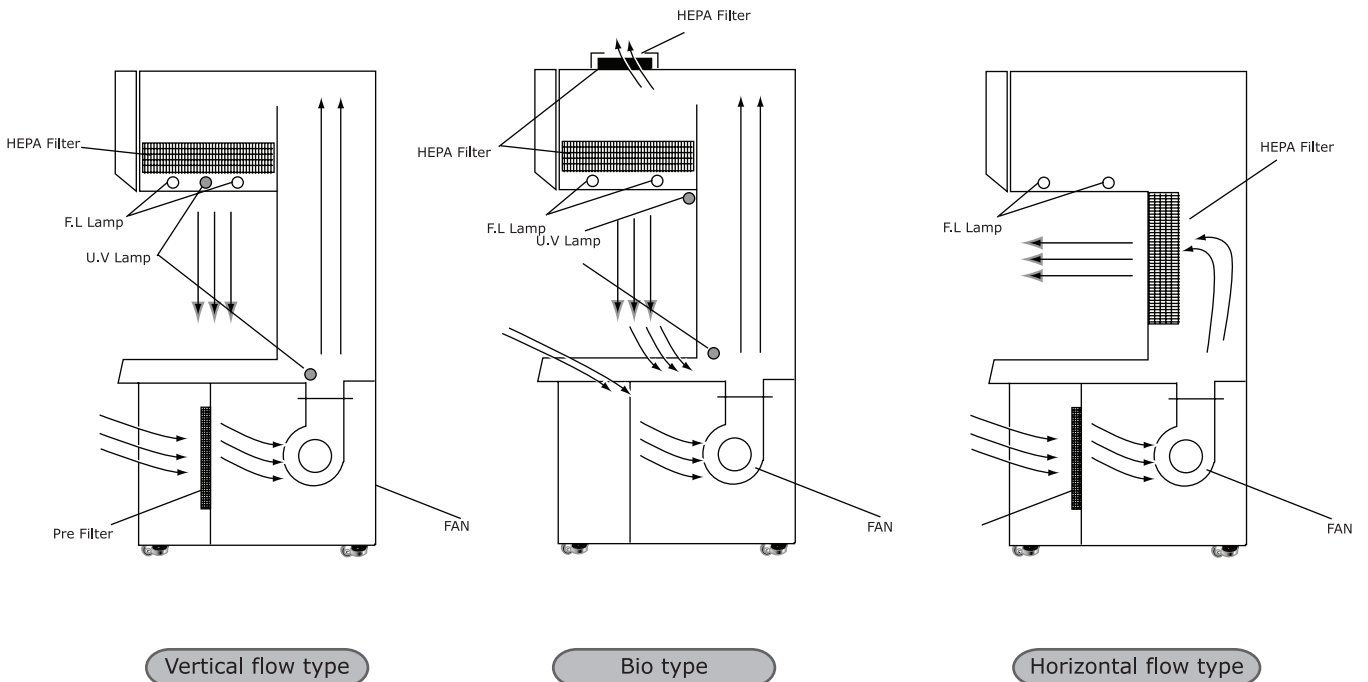
Clean Bench

크린벤치

Distinction



Structure



Clean Bench Classification

